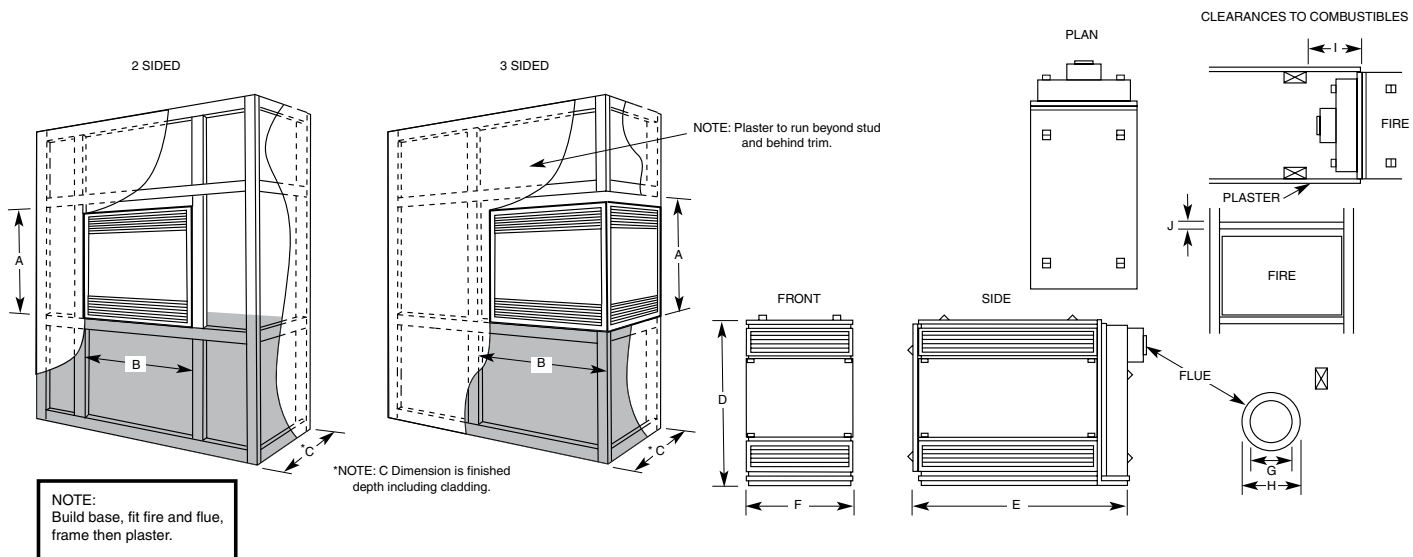


# SPECIFICATIONS & CONSTRUCTION



	A	B	C*	D	E	F	G	H	I	J	NG MJ/H	LP MJ/H	KW Output	STAR RATING FROM	STAR RATING TO	GPO REQ'D	VENTILATION
<b>2 SIDED</b>	1000	1225	560	870	1100	560	100	180	50	100	43	43	9	2.8	4.5	YES	NOT REQUIRED
<b>3 SIDED</b>	1000	1150	560	870	1100	560	100	180	50	100	43	43	9	2.8	4.5	YES	NOT REQUIRED

Refer to trim section for dimensions of 2 or 3 sided models

## CHEMINEE PTY LTD

EMAIL [sales@cheminee.com.au](mailto:sales@cheminee.com.au)

WEBSITE [www.Cheminee.com.au](http://www.Cheminee.com.au)

PHONE 02 9564 2694

FAX 02 9569 8802

**SHOWROOM**  
118 Stanmore Road, Stanmore  
(Corner Wemyss St) NSW

*Warranty: Provided your Real Flame Gas Fire is installed by a licensed Gas Fitter in accordance with our Installation Instructions and operated in accordance with our Operating Manual, your Firebox is warranted for ten years and all other parts for one year from date of purchase. Refer to our website or our Installation and Operating Manual for a comprehensive warranty.*

Captiva Island  
Brochure  
2015





# Captiva Island

## Be captivated from all angles

2 Sided

3 Sided

The Captiva Island is available in a two or three sided configuration allowing the home owner to view the fire from two separate rooms, or from three sides in a large open plan area. This double glazed high efficiency fire has a large heating capacity and uses direct vent balanced flue technology allowing horizontal or vertical termination of the flue.



- 🔥 New application
- 🔥 Contemporary
- 🔥 Balanced flue
- 🔥 Heats up to 130m<sup>2</sup>
- 🔥 Natural gas or LPG
- 🔥 Up to 4.5 star efficiency
- 🔥 Full remote control function
- 🔥 Pebbles or Coals and logs
- 🔥 Double glazed space heater
- 🔥 Conceived, designed, researched, developed and built in Australia

