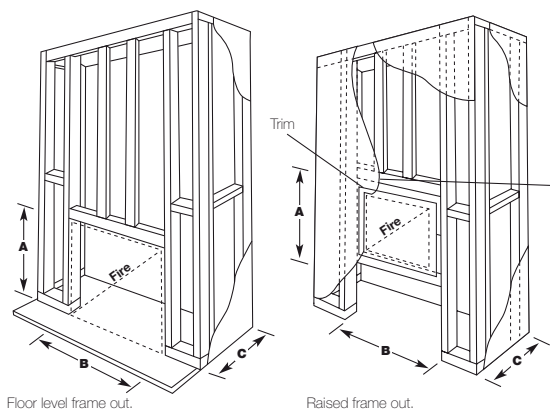
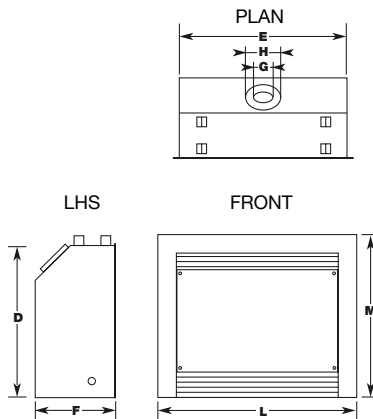


SPECIFICATIONS & CONSTRUCTION

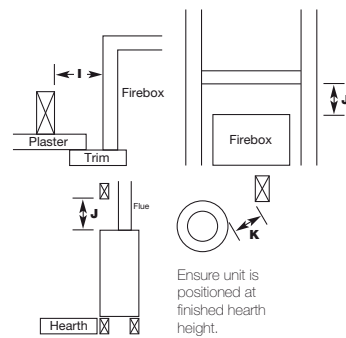


NOTE:
Install unit and
flue prior to
plastering.

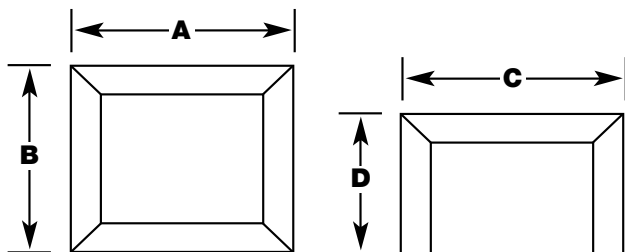
NOTE:
Plaster to run
beyond studs
and behind trim
or square edge.



Clearance to Combustibles



	A	B	C	D	E	F	G	H	I	J	K	L	M	NG Mj/h	LP Mj/h	KW OUTPUT	STAR RATING	GPO REQ'D	VENTILATION
600	890	690	475	785	580	380	100	180	50	100	50	790	840	26	26	5.89	4.50	YES	NOT REQUIRED
900	890	970	475	780	860	410	100	180	50	100	50	1020	840	30	30	6.93	4.06	YES	NOT REQUIRED



TRIMS

	A	B	C	D
CAPTIVA 600	790	930	790	840
CAPTIVA 900	1020	930	1020	840

All measurements in millimetres (mm)

CHEMINEE PTY LTD

EMAIL sales@cheminee.com.au

WEBSITE www.Cheminee.com.au

PHONE 02 9564 2694

FAX 02 9569 8802

SHOWROOM

118 Stanmore Road, Stanmore
(Corner Wemyss St) NSW

Warranty: Provided your Real Flame Gas Fire is installed by a licensed Gas Fitter in accordance with our Installation Instructions and operated in accordance with our Operating Manual, your Firebox is warranted for ten years and all other parts for one year from date of purchase. Refer to our website or our Installation and Operating Manual for a comprehensive warranty.

Captiva
Brochure
2015





Elegant and efficient

600

900

Our Captiva 600 and 900 high-efficiency glass fronted fireplaces provide an impressive large-scale fire with exceptional heating capacities. Thanks to its balanced flue direct vent technology, this is an ideal fireplace for large rooms or situations where conventional flue methods are not possible. The Captiva is one of the most efficient gas fireplaces on the market. It is both a practical and stunning heating solution for any home.



- 🔥 Balanced flue
- 🔥 New application
- 🔥 Natural gas or LPG
- 🔥 Up to 4.5 star efficiency
- 🔥 Full remote control function
- 🔥 Pebbles or Coals and Logs
- 🔥 Traditional or contemporary
- 🔥 Double glazed space heater
- 🔥 600 heats up to 85m² and 900 heats up to 100m²
- 🔥 Conceived, designed, researched, developed and built in Australia

