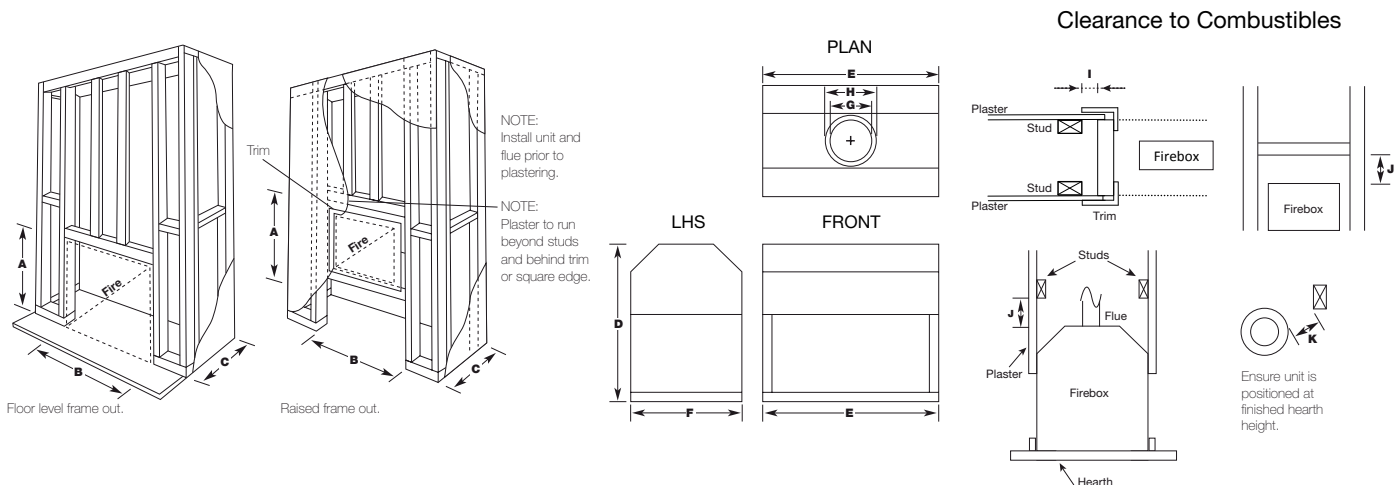
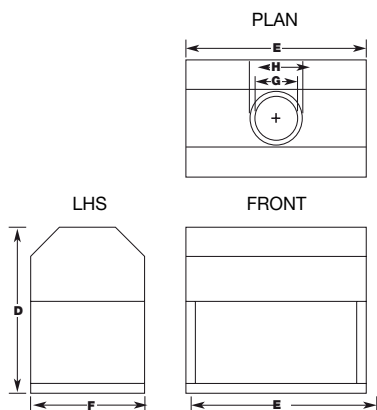


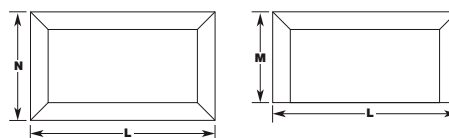
SPECIFICATIONS & CONSTRUCTION



	A	B	C	D	E	F	G	H	I	J	K	NG Mj/h	LP Mj/h	GPO REQ'D	VENTILATION
850	950	1000	600	850	950	600	225	275	25	100	25	52	49	NO	40000mm ²



TRIMS



TRIMS	L	M	N
DOUBLE VISION	1043	513	613

CHEMINEE PTY LTD

EMAIL sales@cheminee.com.au

WEBSITE www.Cheminee.com.au

PHONE 02 9564 2694

FAX 02 9569 8802

SHOWROOM

118 Stanmore Road, Stanmore
(Corner Wemyss St) NSW

Warranty: Provided your Real Flame Gas Fire is installed by a licensed Gas Fitter in accordance with our Installation Instructions and operated in accordance with our Operating Manual, your Firebox is warranted for ten years and all other parts for one year from date of purchase. Refer to our website or our Installation and Operating Manual for a comprehensive warranty.

Double Vision Brochure 2015



CHEMINEE PTY LTD

EMAIL sales@cheminee.com.au

WEBSITE www.Cheminee.com.au

PHONE 02 9564 2694

FAX 02 9569 8802

SHOWROOM

118 Stanmore Road, Stanmore
(Corner Wemyss St) NSW





Light up two rooms with a see-through fireplace

Our Double Vision gas fireplace is designed for the modern home, with unique styling and simple lines. This see through fireplace becomes the warm focus of two rooms at once and also has the flexibility of having one or two glass ends, creating an impressive island fire that can be seen from all four sides, bringing a warm ambience to more of your home. There is also an Alfresco Kit to allow the fire to be viewed from outside!



- Decorative
- Millivolt ignition
- New application
- Natural gas or LPG
- Optional Alfresco Kit
- Conventional or Power flue
- Pebbles or Coals and Logs
- Traditional or contemporary
- Glass back or sides optional
- Conceived, designed, researched, developed and built in Australia