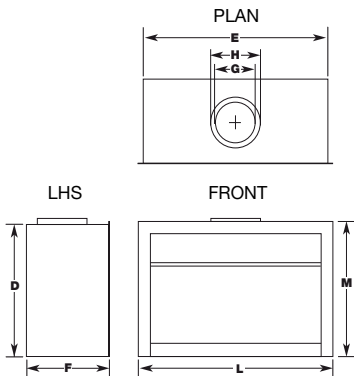
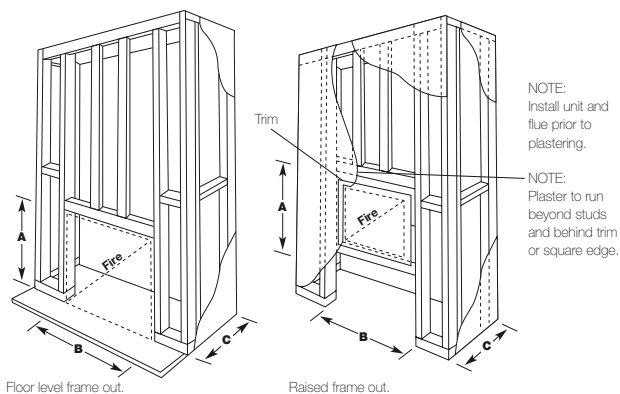
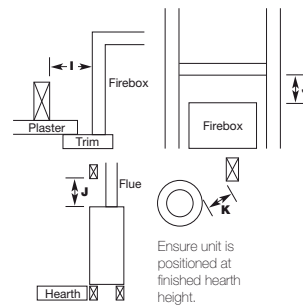


# SPECIFICATIONS & CONSTRUCTION



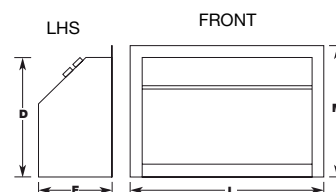
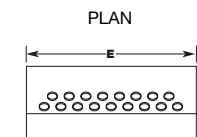
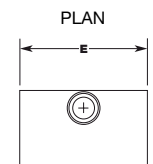
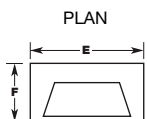
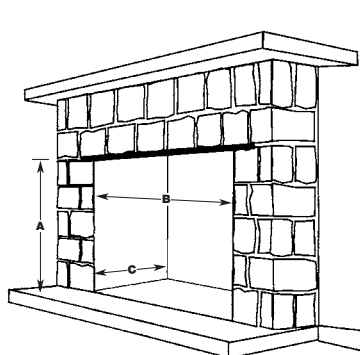
## Clearance to Combustibles



	A	B	C	D	E	F	G	H	I	J	K	L	M	NG Mj/h	LP Mj/h	GPO REQ'D	VENTILATION
600	750	750	450	650	675	415	150	200	25	100	25	740	670	37	31	YES	18000mm2
700	750	850	450	650	775	415	150	200	25	100	25	840	670	37	31	YES	18000mm2
850	750	1000	450	650	930	415	200	250	25	100	25	990	670	39	36	YES	32000mm2
1000	750	1150	450	650	1075	415	200	250	25	100	25	1140	670	39	36	YES	32000mm2
1500	750	1650	450	650	1575	415	225	275	25	100	25	1630	670	49	49	YES	49000mm2

Also available in inbuilt configuration for working masonry fireplaces.

Refer to TRIMS section for 4 sided trim dimensions



Heatseeker

	A	B	C	D	E	F	L	M	NG Mj/h	LP Mj/h	GPO REQ'D	VENTILATION
HEATSEEKER 600	610	620	380	605	610	370	740	670	37	31	YES	40000mm2
HEATSEEKER 700	610	720	380	605	710	370	840	670	37	31	YES	40000mm2
HEATSEEKER 850	610	870	380	605	860	370	990	670	39	36	YES	40000mm2
HEATSEEKER 1000	610	1020	380	605	1005	370	1140	670	39	36	YES	40000mm2

Warranty: Provided your Real Flame Gas Fire is installed by a licensed Gas Fitter in accordance with our Installation Instructions and operated in accordance with our Operating Manual, your Firebox is warranted for ten years and all other parts for one year from date of purchase. Refer to our website or our Installation and Operating Manual for a comprehensive warranty.

## CHEMINEE PTY LTD

EMAIL [sales@cheminee.com.au](mailto:sales@cheminee.com.au)

WEBSITE [www.Cheminee.com.au](http://www.Cheminee.com.au)

PHONE 02 9564 2694

FAX 02 9569 8802

### SHOWROOM

118 Stanmore Road, Stanmore  
(Corner Wemyss St) NSW

# Heatseeker Brochure 2015





# Heatseeker

## Heating on a grand scale

Create the warmth and atmosphere of an open fire with the convenience and cleanliness of gas. The Heatseeker delivers optimum radiant and fan assisted convected heat. Offering total design flexibility ranging from old world to traditional or contemporary finishes. The Heatseeker fire is available in five convenient sizes that are ideal for new or existing fireplace applications.

600

700

850

1000

1500



- 🔥 Natural gas or LPG
- 🔥 Conventional or Power flue
- 🔥 Pebbles or Coals and Logs
- 🔥 New or existing applications
- 🔥 Old world, traditional or contemporary
- 🔥 Convected plus radiant heat, heats up to 45m<sup>2</sup>
- 🔥 Conceived, designed, researched, developed and built in Australia