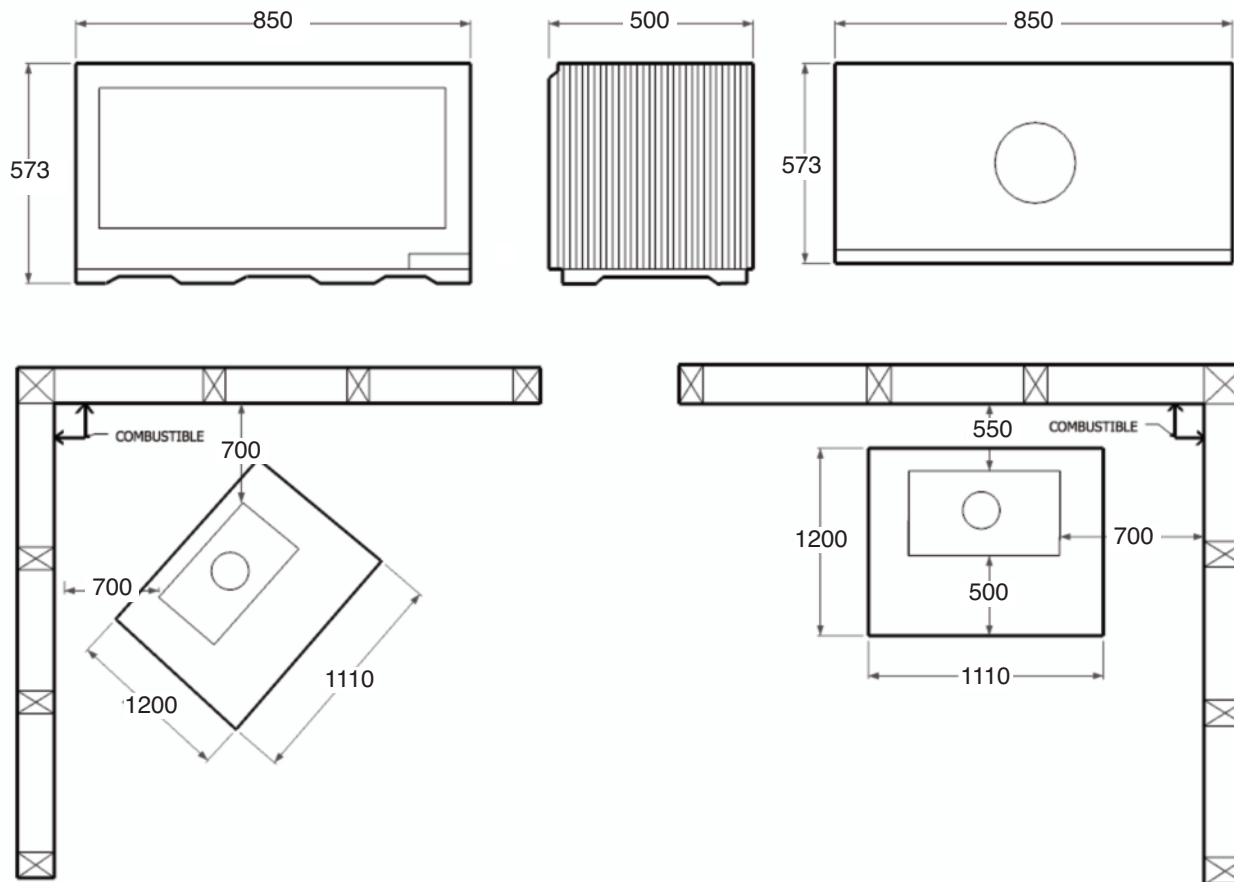


HORAMA STANDARD INSTALLATION



HEATER DIMENSIONS

Height = 573mm
 Width = 850mm
 Depth = 500mm
 Weight = 199kg

HEARTH REQUIREMENTS

Minimum Width = 1100mm
 Minimum Depth = 1200mm
 From door to front of hearth = 500mm
 Hearth thickness = 20mm

DATA SPECIFICATION

Heating Capacity = 300 sq m
 Flue Type - 6" /150mm Triple skin flue
 Report Number: ASFT16004

CLEARANCE FROM NON COMBUSTIBLE MATERIAL

Rear = 100mm Side = 100mm Corner = 100mm

CLEARANCES FROM COMBUSTIBLE MATERIAL

Rear = 550mm Side = 600mm Corner = 700mm

**CHEMINÉES
 PHILIPPE**
 AUSTRALIA

CHEMINEE PTY LTD

EMAIL sales@cheminee.com.au
 WEBSITE www.Cheminee.com.au
 PHONE 02 9564 2694
 FAX 02 9569 8802
 SHOWROOM
 118 Stanmore Road, Stanmore (Corner Wemyss St) NSW

IMPORTANT:

Appliance and Flue kit to be strictly installed in accordance to AS/NZS 2918:2001 and the appropriate requirements of the relevant codes. Installer to be a qualified licensed person.