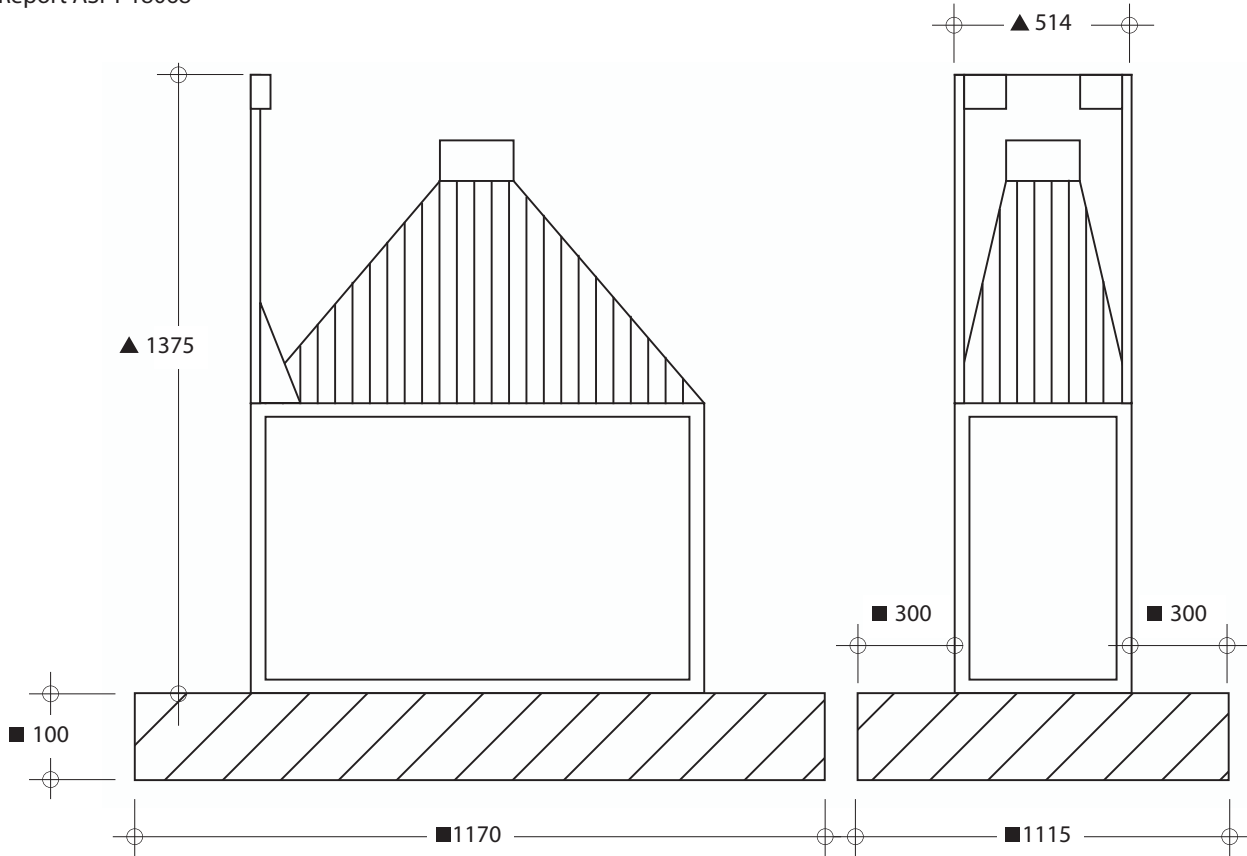
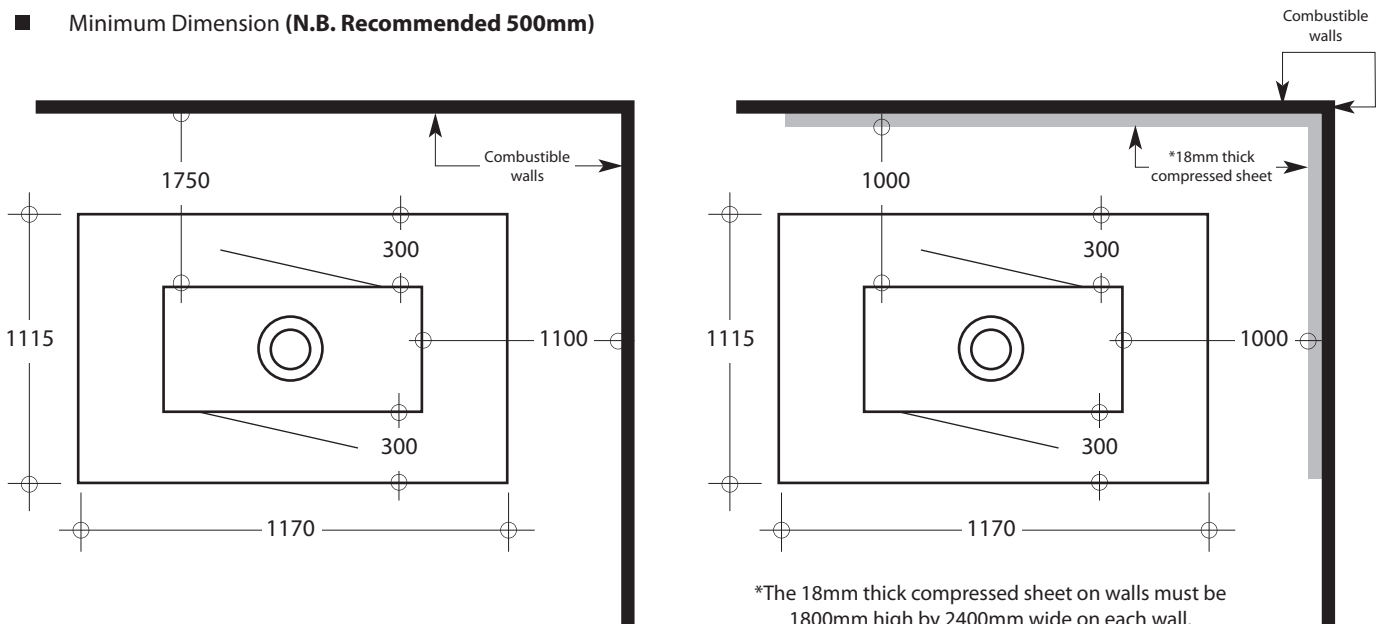


# RADIANTE 846 SERIES FREESTANDING INSTALLATION

Report ASFT 18068



- Hearth 100mm Skamotec, Hebel or solid brick
- ▲ Exact Dimension
- Minimum Dimension (**N.B. Recommended 500mm**)



\*The 18mm thick compressed sheet on walls must be 1800mm high by 2400mm wide on each wall.

Clearance Diagrams

CHEMINEE PTY LTD

EMAIL [sales@cheminee.com.au](mailto:sales@cheminee.com.au)  
 WEBSITE [www.Cheminee.com.au](http://www.Cheminee.com.au)  
 PHONE 02 9564 2694  
 FAX 02 9569 8802  
 SHOWROOM  
 118 Stanmore Road, Stanmore (Corner Wemyss St) NSW

**CHEMINÉES**  
**PHILIPPE**  
 AUSTRALIA