

EN Instruction on mounting and use

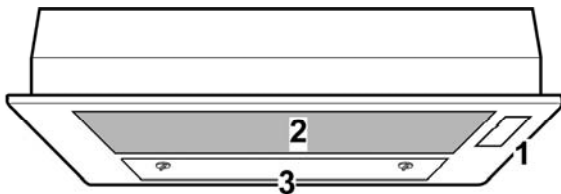


Abb. - Fig.- afb. 1

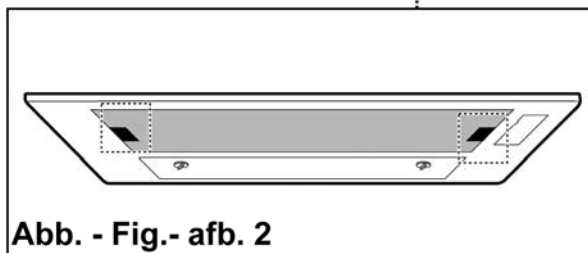
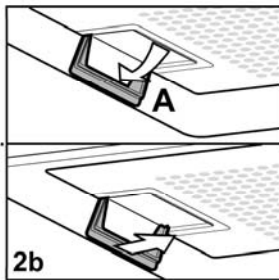
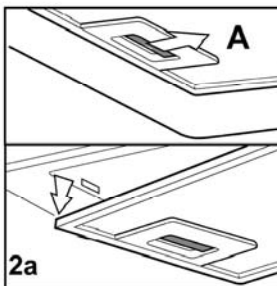


Abb. - Fig.- afb. 2

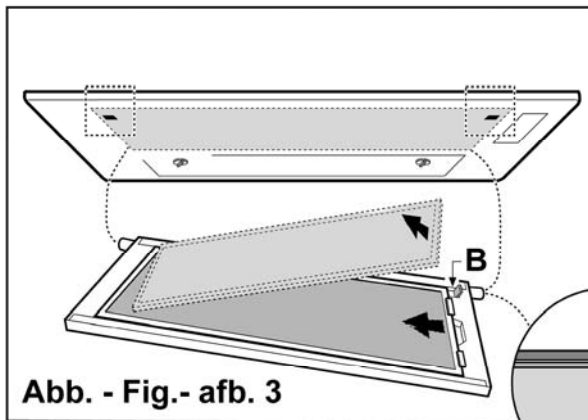
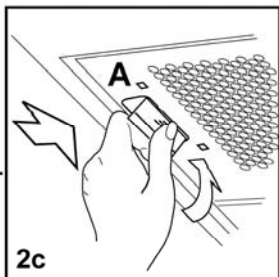
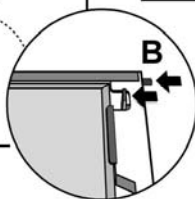
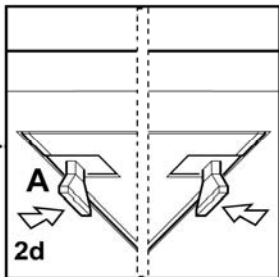


Abb. - Fig.- afb. 3



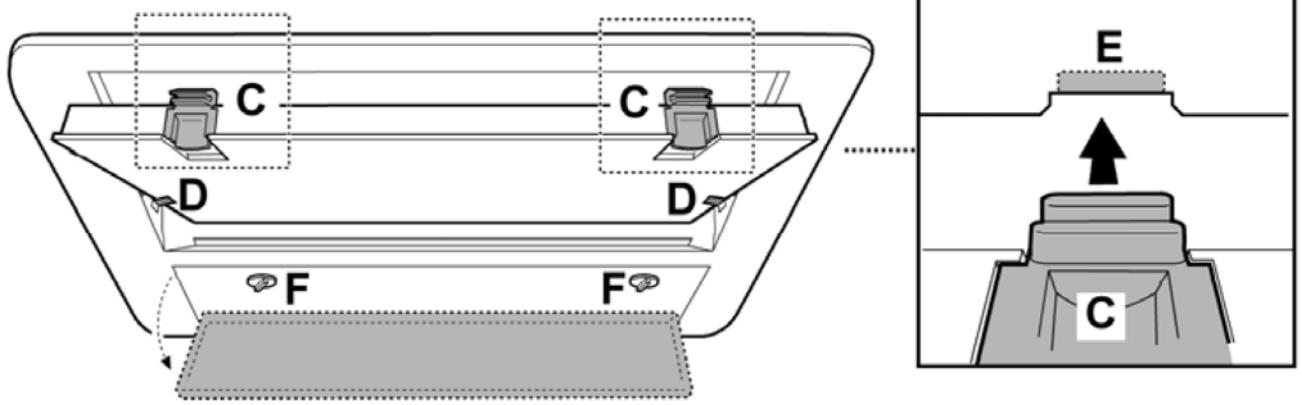


Abb. - Fig.- afb. 4

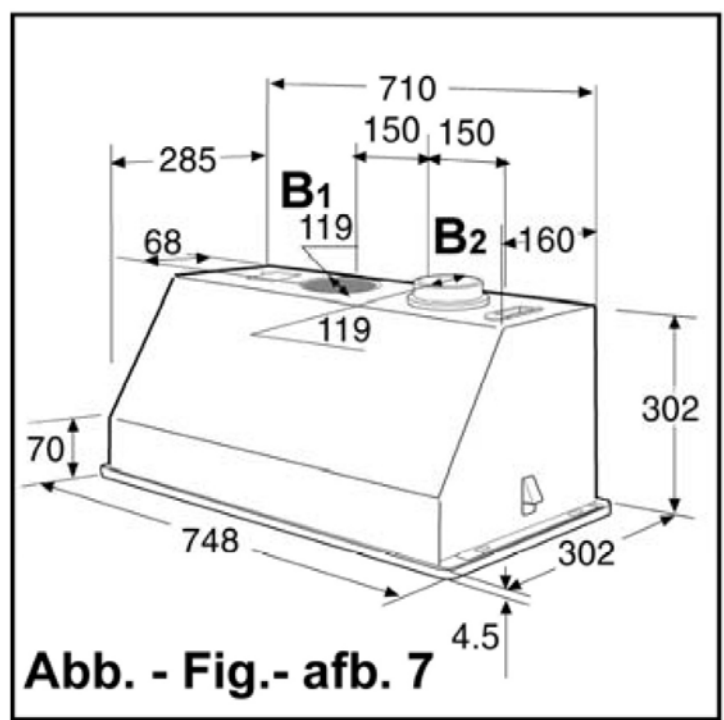


Abb. - Fig.- afb. 7

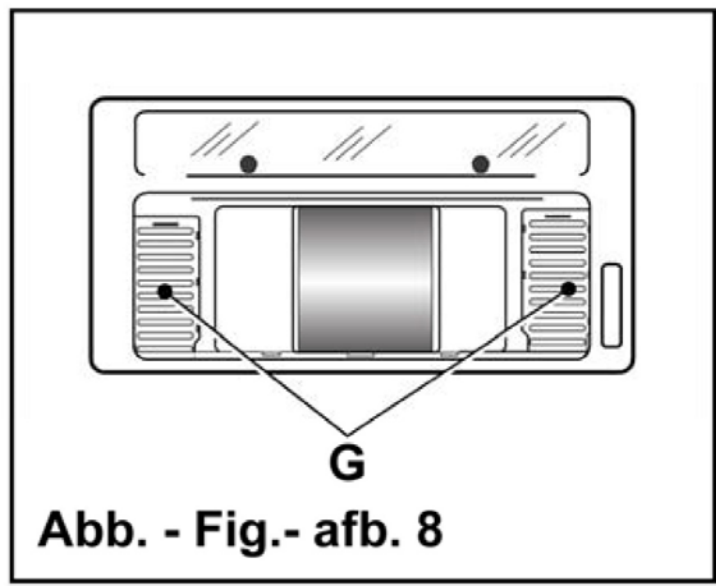
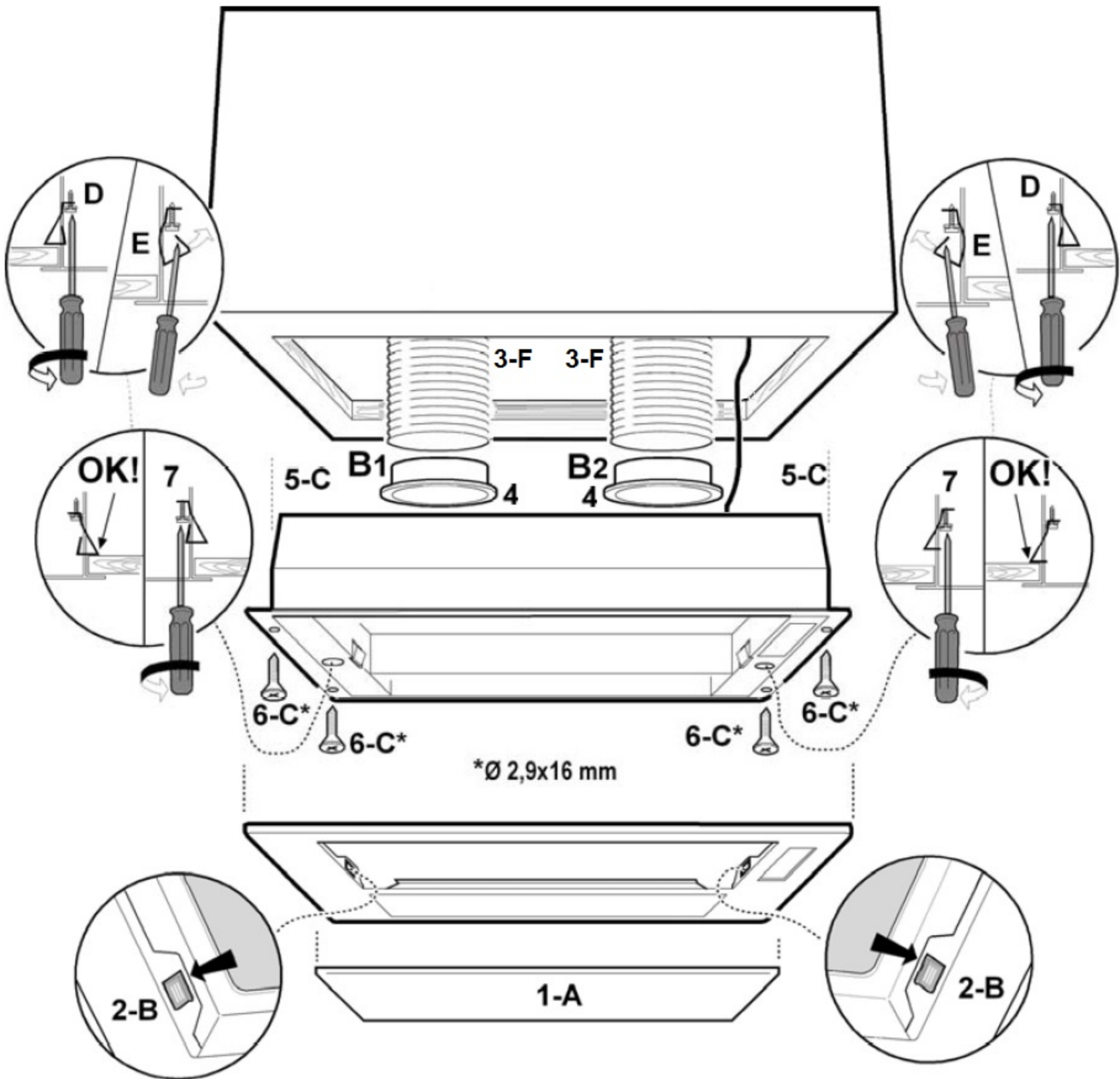


Abb. - Fig.- afb. 8



1...2...3...4...5...6...7... : Installation

A...B...C...D...E... : Dismounting

Closely follow the instructions set out in this manual. All responsibility, for any eventual inconveniences, damages or fires caused by not complying with the instructions in this manual, is declined. The extractor hood has been designed exclusively for domestic use.

- ! It is important to conserve this booklet for consultation at any moment. In the case of sale, cession or move, make sure it is together with the product.
- ! Read the instructions carefully: there is important information about installation, use and safety.
- ! Do not carry out electrical or mechanical variations on the product or on the discharge conduits.



Caution

WARNING! Do not connect the appliance to the mains until the installation is fully complete.

Before any cleaning or maintenance operation, disconnect hood from the mains by removing the plug or disconnecting the mains electrical supply.

Always wear work gloves for all installation and maintenance operations.

The appliance is not intended for use by children or persons with impaired physical, sensorial or mental faculties, or if lacking in experience or knowledge, unless they are under supervision or have been trained in the use of the appliance by a person responsible for their safety.

This appliance is designed to be operated by adults, children should be monitored to ensure that they do not play with the appliance.

This appliance is designed to be operated by adults. Children should not be allowed to tamper with the controls or play with the appliance.

Never use the hood without effectively mounted grating!

The hood must NEVER be used as a support surface unless specifically indicated.

The premises where the appliance is installed must be sufficiently ventilated, when the kitchen hood is used together with other gas combustion devices or other fuels.

The ducting system for this appliance must not be connected to any existing ventilation system which is being used for any other purpose such as discharging exhaust fumes from appliances burning gas or other fuels.

The flaming of foods beneath the hood itself is severely prohibited.

The use of exposed flames is detrimental to the filters and may cause a fire risk, and must therefore be avoided in all circumstances.

Any frying must be done with care in order to make sure that the oil does not overheat and ignite.

Accessible parts of the hood may become hot when used with cooking appliance.

With regards to the technical and safety measures to be adopted for fume discharging it is important to closely follow the regulations provided by the local authorities.

The hood must be regularly cleaned on both the inside and outside (AT LEAST ONCE A MONTH).


This must be completed in accordance with the maintenance instructions provided in this manual). Failure to follow the instructions provided in this user guide regarding the cleaning of the hood and filters will lead to the risk of fires.

Do not use or leave the hood without the lamp correctly mounted due to the possible risk of electric shocks.

We will not accept any responsibility for any faults, damage or fires caused to the appliance as a result of the non-observance of the instructions included in this manual.

This appliance is marked according to the European directive 2002/96/EC on Waste Electrical and Electronic Equipment (WEEE). By ensuring this product is disposed of correctly, you will help prevent potential negative consequences for the environment and human health, which could otherwise be caused by inappropriate waste handling of this product.



The symbol  on the product, or on the documents accompanying the product, indicates that this appliance may not be treated as household waste. Instead it should be taken to the appropriate collection point for the recycling of electrical and electronic equipment. Disposal must be carried out in accordance with local environmental regulations for waste disposal.

For further detailed information regarding the process, collection and recycling of this product, please contact the appropriate department of your local authorities or the local department for household waste or the shop where you purchased this product.

Use

The hood is designed to be used either for exhausting or filter version.

Ducting version

The hood is equipped with a top air outlet **B** for discharge of fumes to the outside (exhaust pipe and pipe fixing clamps not provided). **Attention! If the hood is supplied with carbon filter, then it must be removed.**

Filter version

When there is no exhaust duct for venting outdoors, you can use a carbon filter.

The air is depurated by the filter and put again in the surrounding. To use the appliance in this version, proceeded as follows:

The air is vented outdoors by a duct, passing through the wall units and connected to the connecting ring.

Attention! If the hood is not supplied with carbon filter, then it must be ordered and mounted.

Important:

For the 74,8 cm hood (Fig. 6-7)

Before using the hood, ensure that the inside grids (G-Fig. 8) are open (Exhaust mode) or closed (Filter version).

Installation

The minimum distance between the supporting surface for the cooking equipment on the hob and the lowest part of the range hood must be not less than 65cm from electric cookers and 65cm from gas cookers.

If the instructions for installation for the gas hob specify a greater distance, this must be adhered to.



Electrical connection

The mains power supply must correspond to the rating indicated on the plate situated inside the hood. If provided with a plug connect the hood to a socket in compliance with current regulations and positioned in an accessible area, after installation. If it not fitted with a plug (direct mains connection) or if the plug is not located in an accessible area, after installation, apply a double pole switch in accordance with standards which assures the complete disconnection of the mains under conditions relating to over-current category III, in accordance with installation instructions.

Warning! Before re-connecting the hood circuit to the mains supply and checking the efficient function, always check that the mains cable is correctly assembled.

Mounting

Expansion wall plugs are provided to secure the hood to most types of walls/ceilings. However, a qualified technician must verify suitability of the materials in accordance with the type of wall/ceiling. The wall/ceiling must be strong enough to take the weight of the hood. **Do not tile, grout or silicone this appliance to the wall. Surface mounting only.**

This hood is designed for fitting in a cabinet or on some other support.

Description of the hood - Fig. 1

1. Control panel
2. Air-inlet surface (with grease filter)
3. Lights

Operation

The hood is fitted with a control panel with aspiration speed selection control and a light switch to control cooking area lights. Use the high suction speed in cases of concentrated kitchen vapours. It is recommended that the cooker hood suction is switched on for 5 minutes prior to cooking and to leave in operation during cooking and for another 15 minutes approximately after terminating cooking.

Maintenance

ATTENTION! Before performing any maintenance operation, isolate the hood from the electrical supply by switching off at the connector and removing the connector fuse.

Or if the appliance has been connected through a plug and socket, then the plug must be removed from the socket.

Cleaning

The cooker hood should be cleaned regularly (at least with the same frequency with which you carry out maintenance of the fat filters) internally and externally. Clean using the cloth dampened with neutral liquid detergent. Do not use abrasive products. **DO NOT USE ALCOHOL!**

WARNING: Failure to carry out the basic cleaning recommendations of the cooker hood and replacement of the filters may cause fire risks. Therefore, we recommend observing these instructions. The manufacturer declines all responsibility for any damage to the motor or any fire damage linked to inappropriate maintenance or failure to observe the above safety recommendations.

Grease filter

This must be cleaned once a month (or when the filter saturation indication system – if envisaged on the model in possession – indicates this necessity) using non aggressive detergents, either by hand or in the dishwasher, which must be set to a low temperature and a short cycle.

When washed in a dishwasher, the grease filter may discolour slightly, but this does not affect its filtering capacity.

To remove the metal grease filter

(according model you own: Fig. 2-a-b-c-d)

1. Disconnect the hood from the electricity.
 2. Push handles **A** toward the centre
- The model with the grill support (see fig. 2d) has an internal metal filter.

The release the grease filter support from the hood, pull the release buttons **B** (Fig. 3) inwards. To extract the metal grease filter from the support grill, pull from right to left and extract the grease filter.

(When washing the grease filter, wash the support grate as well with warm soapy water).

Carry out the above steps in reverse order to put the filters back after having washed them, making sure the entire extraction surface is covered.

Charcoal filter (filter version only)

Fig. 4

It absorbs unpleasant odours caused by cooking.

The saturation of the charcoal filter occurs after more or less prolonged use, depending on the type of cooking and the regularity of cleaning of the grease filter.

In any case it is necessary to replace the cartridge at least every four months (or when the filter saturation indication system – if envisaged on the model in possession – indicates this necessity). The charcoal filter may NOT be washed or regenerated.

To dismount the carbon filter:

1. Disconnect the hood from the electricity.
2. Remove the metal filters (or its support).
3. Remove exhausted carbon filter, push release button **C** and pull carbon filter downwards.

To fit the carbon filter:

1. Fit the carbon filter by sliding it OVER the metal tabs **D** and hook it into housings **E**.
Put the metal filter or its support back into place.

Replacing lamps

Fig. 4

Disconnect the hood from the electricity.

Warning! Prior to touching the light bulbs ensure they are cooled down.

1. Disconnect the hood from the electricity.
2. Open the lamp holder compartment by turning the clasps **F** for the protective shield for the lamps in the counter-clockwise direction.
3. Replace faulty lamp with one of an equal rating and kind.

According the cooker hood you own:

Lamp 40W max (E14) or Neon lamp 14W max or PL lamp 11W max (model with 1 PL lamp) or PL lamp 9W max (model with two PL lamps)

4. Reclose the protective shield for the lamp.

If the lights do not work, make sure that the lamps are fitted properly into their housings before you call for technical assistance.