

Falcon Undercupboard Rangehoods

Installation Instructions & User Guide

Falcon

It is important to follow the installation instructions.

By following these instructions for the installation, use and care of your FALCON under cupboard rangehood will ensure many years of safe and reliable operation.

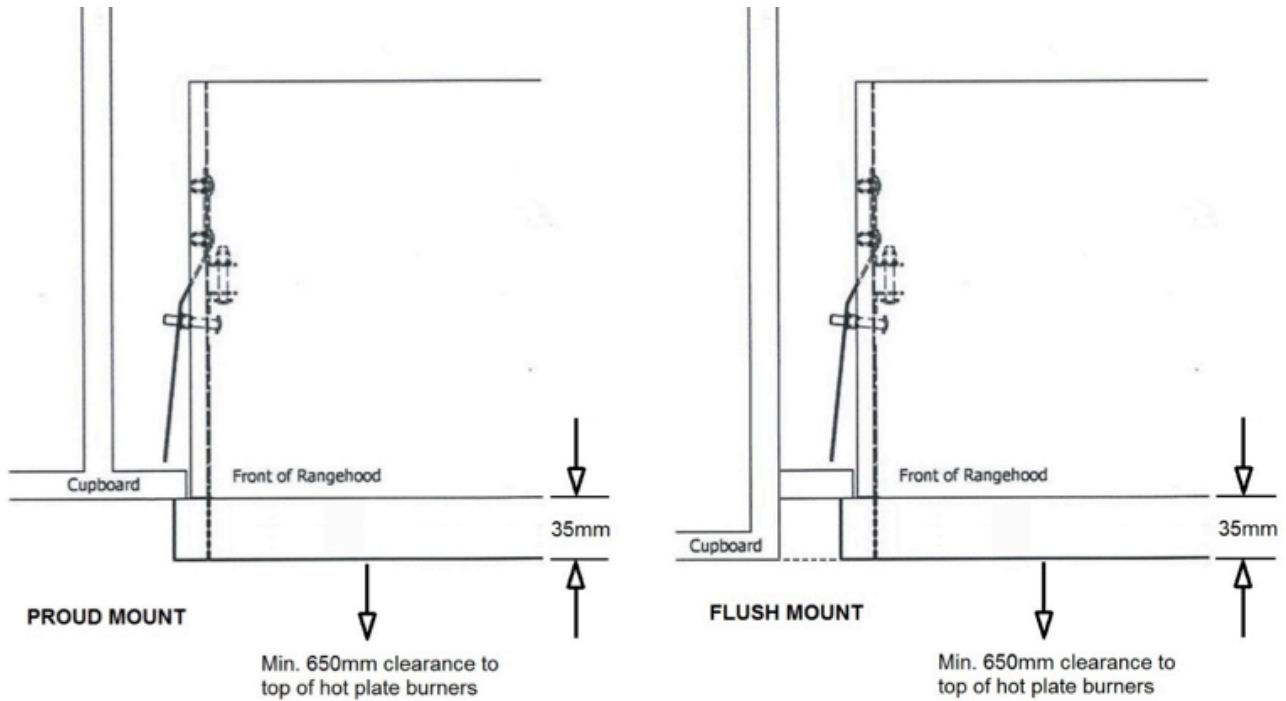
Gas regulations require different heights for different brands of rangehoods. Falcon rangehoods can be fitted 650 mm above the top of the highest burner of a gas hotplate. We recommend 700 to 800mm above the hotplate for optimum performance.

The FALCON FALUC rangehoods are all meant to be put into cupboards over hotplates and can vary in height due to the kitchen design. The rangehood can be installed flush or proud mount. For flush mount the cupboard base panel should be recessed 35mm. In either case the minimum clearance of the rangehood shall be no less than 650mm above the top of the highest gas burner or electric hotplate.

1. The installation of Falcon Rangehoods must comply with the information in this booklet.
2. Every Falcon Rangehood must be ducted to the outside atmosphere by the use of metal rigid or semi-rigid flexible ducting. **Do not use of any type of plastic PVC piping.** Rangehoods must not be vented into a wall cavity or a ceiling space. This prevents a build up of grease, which can be a fire risk. Ensure the external outlet vent does not restrict the airflow in any way, as this may result in reduced performance.
3. Falcon Rangehoods must be ducted in duct work equivalent to the outlet of the rangehood ie: The cross sectional area of the rangehood outlet and the duct work must be equal. Do not reduce the duct size or have sharp bends. Enlarge the duct size if the duct is to run 6 metres or longer. Advice from Andi-Co is available to ensure optimum performance. Always use nonflammable materials to minimise the risk of fire in the duct at a later date.
4. Ensure ducting used for FALUC80-1 is a minimum size of 150Ø, and FALUC100-2 a minimum size of 250Ø, or 2 x 150Ø.
5. Always adequately ventilate the room when the rangehood is in use at the same time as appliances burning gas or other fuels.
6. **WARNING:** Incorrect venting will result in additional noise and a reduction in efficiency. Exhaust air must not be discharged into any chimney or flue, which may carry combustible products from other sources.
 - a) Do not discharge the air-flow from the rangehood into a flue used for exhausting fumes from burning gas or fuel;
 - b) If cleaning is not carried out in accordance with the instructions as listed in this manual, you may have an increased risk of fire;
 - c) Accessible parts of the rangehood may become hot when used with cooking appliances;
 - d) This appliance is not intended for use by persons (including children) with reduced physical, sensory or mental capabilities, or lack of experience and knowledge, unless they have been given supervision or instruction concerning use of the appliance by a person responsible for their safety.
 - e) Children should be supervised to ensure that they do not play with the appliance.
7. Do not flambé under the rangehood.
8. If the supply cord is damaged, an authorised service centre or licensed electrician must replace it.
9. The lights in the rangehoods are LED and come with a night light.
10. To reduce the risk of fixing screws coming in contact with live parts, do not drill or screw into the rangehood. Live wires are encapsulated where possible to prevent user contact. If necessary drill from the inside out and only through single sheet material.
11. When attaching ducting to the unit, do not attach (rivet, silicone, etc) to fan spigot. Attach ducting to top of unit.

FALUC801 & FALUC1002

MOUNTING OPTIONS

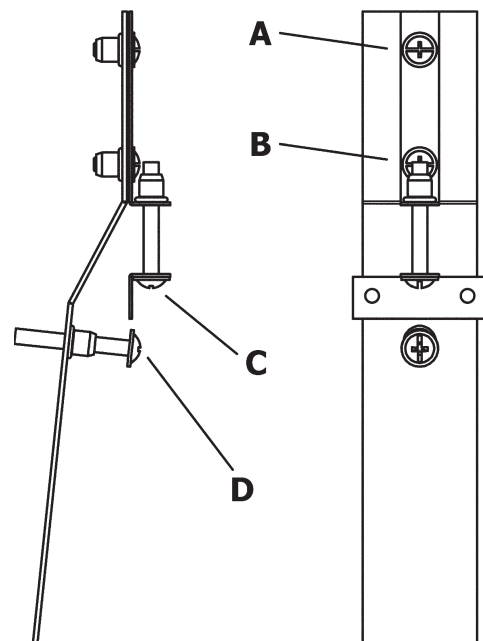


CUPBOARD CUT OUT DIMENSIONS

| MODEL | MOTOR BOX SIZE | HOOD BASE SIZE | CUPBOARD BASE MIN. | CUT OUT SIZE |
|-----------|----------------|----------------|--------------------|--------------|
| FALUC801 | 235 x 780mm | 275 x 800mm | 290 X 810mm | 245 x 785mm |
| FALUC1002 | 235 x 980mm | 275 x 1000mm | 290 x 1010mm | 245 x 985mm |

INSTALLATION INSTRUCTIONS

1. Loosen screws 'A' and 'B'.
2. Turn screw 'D' anti-clockwise to extend the outer spring bracket.
3. Insert the rangehood into the cut out. Ensure spring brackets are positioned on top of cupboard base.
4. Turn screw 'C' clockwise to align rangehood with cupboard base. Do not over tighten.
5. Tighten screw 'A' by turning clockwise to lock fixing bracket.
6. Fit off ductwork as required.
7. To remove rangehood, turn screw 'D' clockwise.
8. An accessible 10A GPO is provided near the top RHS of the Rangehood for connection.



Falcon

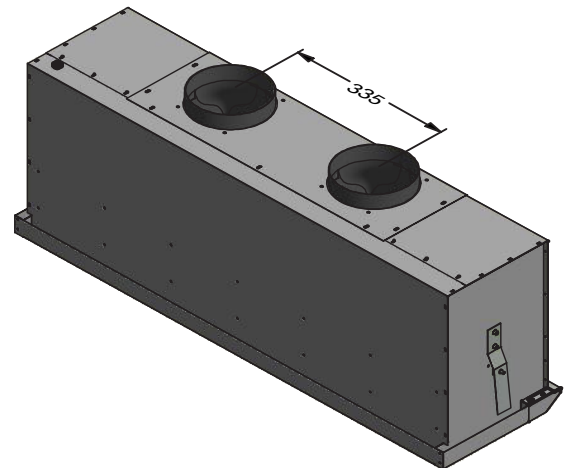
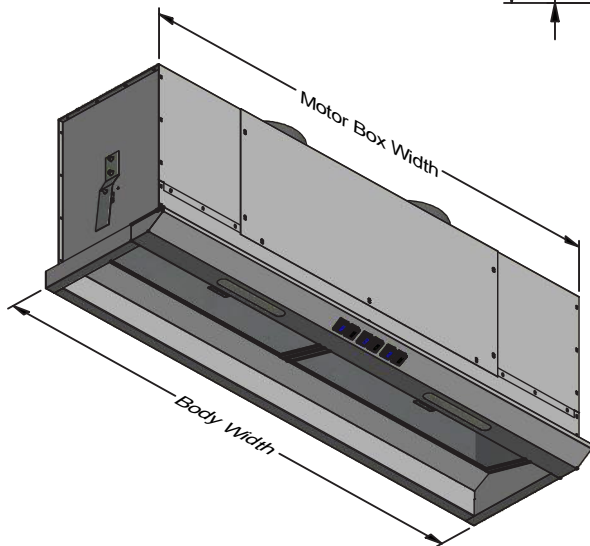
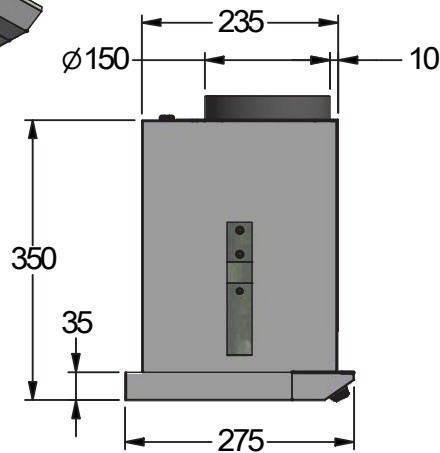
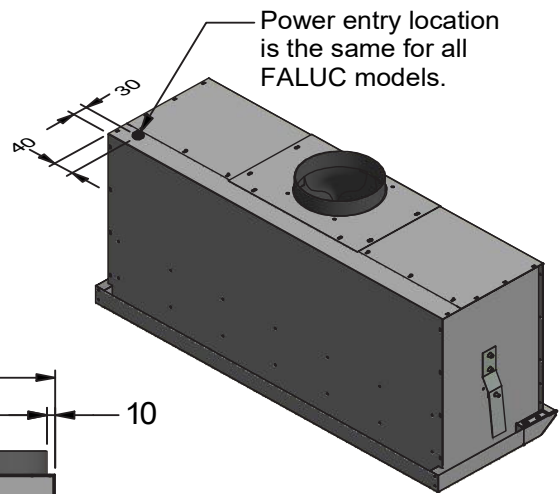
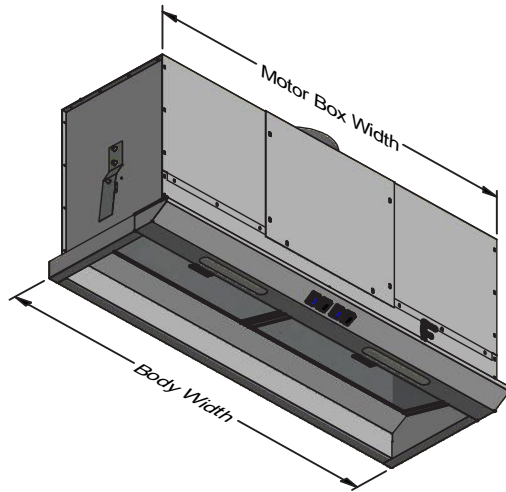
Rangehoods

FALCON

Technical Specification Sheet

FALUC

Undercupboard



| Model | FALUC801 | FALUC1002 | Model | FALUC801 | FALUC1002 |
|------------------------|----------|-----------|------------------------------------|---------------|---------------|
| Body Width | 800mm | 1000mm | Filter Size | 379mm x 157mm | 479mm x 157mm |
| Motor Box / Flue Width | 780mm | 980mm | Outlet/s | 1 x 150mm | 2 x 150mm |
| Motor Qty | 1 | 2 | Recirculating | NO | NO |
| LED Light | Cool | Cool | Electrical Connection | 10 Amp Plug | 10 Amp Plug |
| Nightlight | YES | YES | Electrical Cord Length | 1200mm | 1200mm |
| Light Qty | 2 | 2 | Electrical Rating | 368W | 666W |
| Light Centres | 380mm | 480mm | Air Movement - Low | 400m3hr | 800m3hr |
| Filter Qty | 2 | 2 | Air Movement - High | 800m3hr | 1600m3hr |
| | | | Version: D 18/07/2019F Page 1 of 1 | | |

FILTER CLEANING

For the best results, please clean filters regularly. Andi-Co recommends cleaning filters once per month, or immediately after heavy use.

You can do this by hand washing in warm soapy water, or by placing filters in the top rack of the dishwasher. Note: Washing the filters in the dishwasher may cause discolouration of the filters.

Ensure the filters are completely dry before placing them back. Do not operate the range hood without the filters installed.

Andi-Co **does not** recommend the use of corrosive, caustic or acidic products, particularly industrial or citric products.

RANGEHOOD CLEANING

FALCON rangehoods are made from type 304 stainless steel. This means that the stainless steel is made of 18% nickel and 8% of chromium.

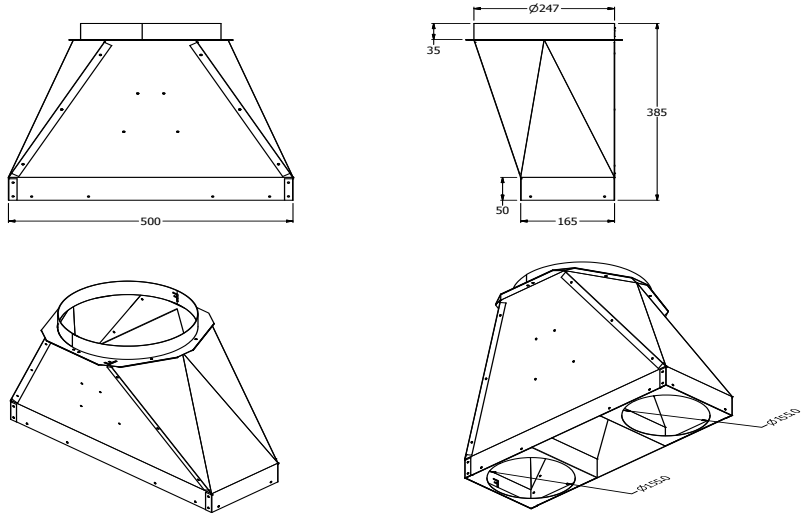
Stainless steel gets its protective coating from the chromium oxidising in the air to form a protective surface of chromium oxide. This can be attacked by different substances, such as salt water or sea air. The stainless steel will start to show pit marks which are referred to as tea staining. This will happen to marina grade stainless steel type 316 in the same way it will happen to stainless steel type 304, it will just take longer to happen. The way to over come this is to clean the stainless steel with warm soapy water and then polish it with a cloth so that the chromium will oxidise again.

Please use non-corrosive or non-abrasive cleaners (warm soapy water recommended). Stainless Steel cleaner may be used.

RECOMMENDED DUCTING

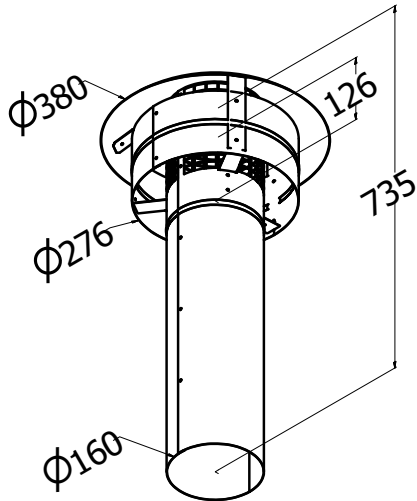
FALUC TMT

Twin Motor Transition to 250mm diameter (suits FALUC1002 only)



FALUC CH-150

Chairman's Hat to suit single motor rangehood



FALUC CH-250

Chairman's Hat to suit twin motor rangehood

